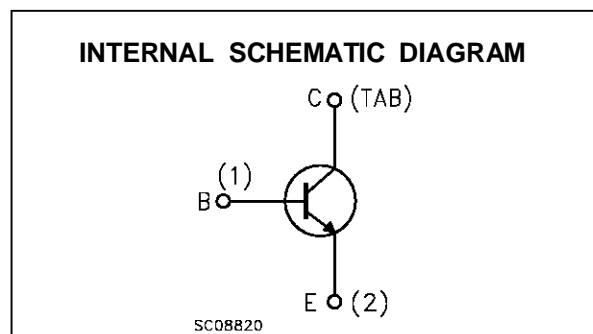
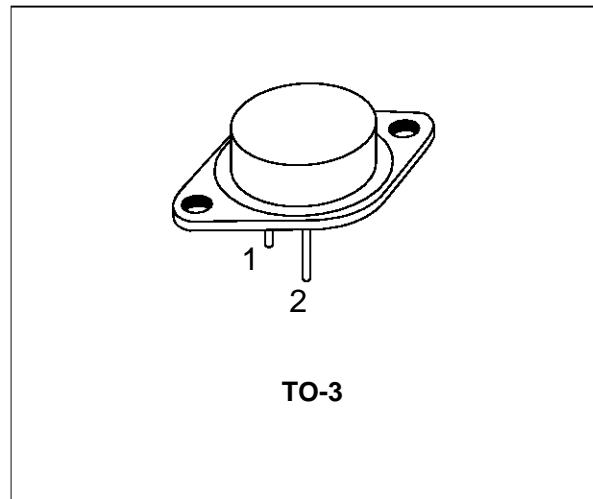


**HIGH CURRENT NPN SILICON TRANSISTOR**

**DESCRIPTION**

The BUV20, BUV21 and BUV22 are silicon multiepitaxial planar NPN transistor in jedec TO-3 metal case, intended for use in switching and linear applications in military and industrial equipment.



**ABSOLUTE MAXIMUM RATINGS**

Symbol	Parameter	Value			Unit
		BUV20	BUV21	BUV22	
$V_{CBO}$	Collector-Base Voltage ( $I_E = 0$ )	160	250	300	V
$V_{CER}$	Collector-Emitter Voltage ( $R_{BE} = 100\Omega$ )	150	240	290	V
$V_{CEX}$	Collector-Emitter Voltage ( $V_{BE} = -1.5V$ )	160	250	300	V
$V_{CEO}$	Collector-Emitter Voltage ( $I_B = 0$ )	125	200	250	V
$V_{EBO}$	Emitter-Base Voltage ( $I_C = 0$ )	7	7	7	V
$I_C$	Collector Current	50	40	40	A
$I_{CM}$	Collector Peak Current	60	50	50	A
$I_B$	Base Current	10	8	8	A
$P_{tot}$	Total Power Dissipation at $T_{case} \leq 25\text{ }^\circ\text{C}$	250			W
$T_{stg}$	Storage Temperature	-65 to 200			$^\circ\text{C}$
$T_j$	Junction Temperature	200			$^\circ\text{C}$

## BUV20/BUV21/BUV22

### THERMAL DATA

R <sub>thj-case</sub>	Thermal Resistance Junction-case	Max	0.7	°C/W
-----------------------	----------------------------------	-----	-----	------

### ELECTRICAL CHARACTERISTICS (T<sub>case</sub> = 25 °C unless otherwise specified)

Symbol	Parameter	Test Conditions	Min.	Typ.	Max.	Unit
I <sub>CEX</sub>	Collector Cut-off Current (V <sub>BE</sub> = -1.5V)	V <sub>CE</sub> = V <sub>CES</sub> for <b>BUV20</b> for <b>BUV21</b> for <b>BUV22</b> at T <sub>case</sub> = 125 °C for <b>BUV20</b> for <b>BUV21</b> for <b>BUV22</b>			3 3 3 12 12 12	mA mA mA mA mA mA
I <sub>CEO</sub>	Collector Cut-off Current (I <sub>B</sub> = 0)	for <b>BUV20</b> V <sub>CE</sub> = 100 V for <b>BUV21</b> V <sub>CE</sub> = 160 V for <b>BUV22</b> V <sub>CE</sub> = 200 V			3 3 3	mA mA mA
I <sub>EBO</sub>	Emitter Cut-off Current (I <sub>C</sub> = 0)	V <sub>EB</sub> = 5 V			1	mA
V <sub>CEO(sus)*</sub>	Collector-Emitter Sustaining Voltage (I <sub>B</sub> = 0)	I <sub>C</sub> = 200 mA L = 25 mH for <b>BUV20</b> for <b>BUV21</b> for <b>BUV22</b>	125 200 250			V V V
V <sub>(BR)EB0*</sub>	Emitter-base Breakdown Voltage (I <sub>C</sub> = 0)	I <sub>E</sub> = 50 mA	7			V
V <sub>CE(sat)*</sub>	Collector-Emitter Saturation Voltage	for <b>BUV20</b> I <sub>C</sub> = 25 A I <sub>B</sub> = 2.5 A I <sub>C</sub> = 50 A I <sub>B</sub> = 5 A for <b>BUV21</b> I <sub>C</sub> = 12 A I <sub>B</sub> = 1.2 A I <sub>C</sub> = 25 A I <sub>B</sub> = 3 A for <b>BUV22</b> I <sub>C</sub> = 10 A I <sub>B</sub> = 1 A I <sub>C</sub> = 20 A I <sub>B</sub> = 2.5 A		0.3 0.7 0.2 0.9 0.2 0.5	0.6 1.2 0.6 1.5 1 1.5	V V V V V V
V <sub>BE(sat)*</sub>	Base-Emitter Saturation Voltage	for <b>BUV20</b> I <sub>C</sub> = 50 A I <sub>B</sub> = 5 A for <b>BUV21</b> I <sub>C</sub> = 25 A I <sub>B</sub> = 3 A for <b>BUV22</b> I <sub>C</sub> = 40 A I <sub>B</sub> = 4 A		1.4 1.2 1.2	2 1.5 1.5	V V V
h <sub>FE*</sub>	DC Current Gain	for <b>BUV20</b> V <sub>CE</sub> = 2 V I <sub>C</sub> = 25 A V <sub>CE</sub> = 4 V I <sub>C</sub> = 50 A for <b>BUV21</b> V <sub>CE</sub> = 2 V I <sub>C</sub> = 12 A V <sub>CE</sub> = 4 V I <sub>C</sub> = 25 A for <b>BUV22</b> V <sub>CE</sub> = 4 V I <sub>C</sub> = 10 A V <sub>CE</sub> = 4 V I <sub>C</sub> = 20 A	20 10 20 10 20 10		60 60 60	
f <sub>T</sub>	Transition frequency	V <sub>CE</sub> = 15 V I <sub>C</sub> = 2 A f = 100 MHz	8			MHz

\* Pulsed: Pulse duration = 300 μs, duty cycle ≤ 2 %

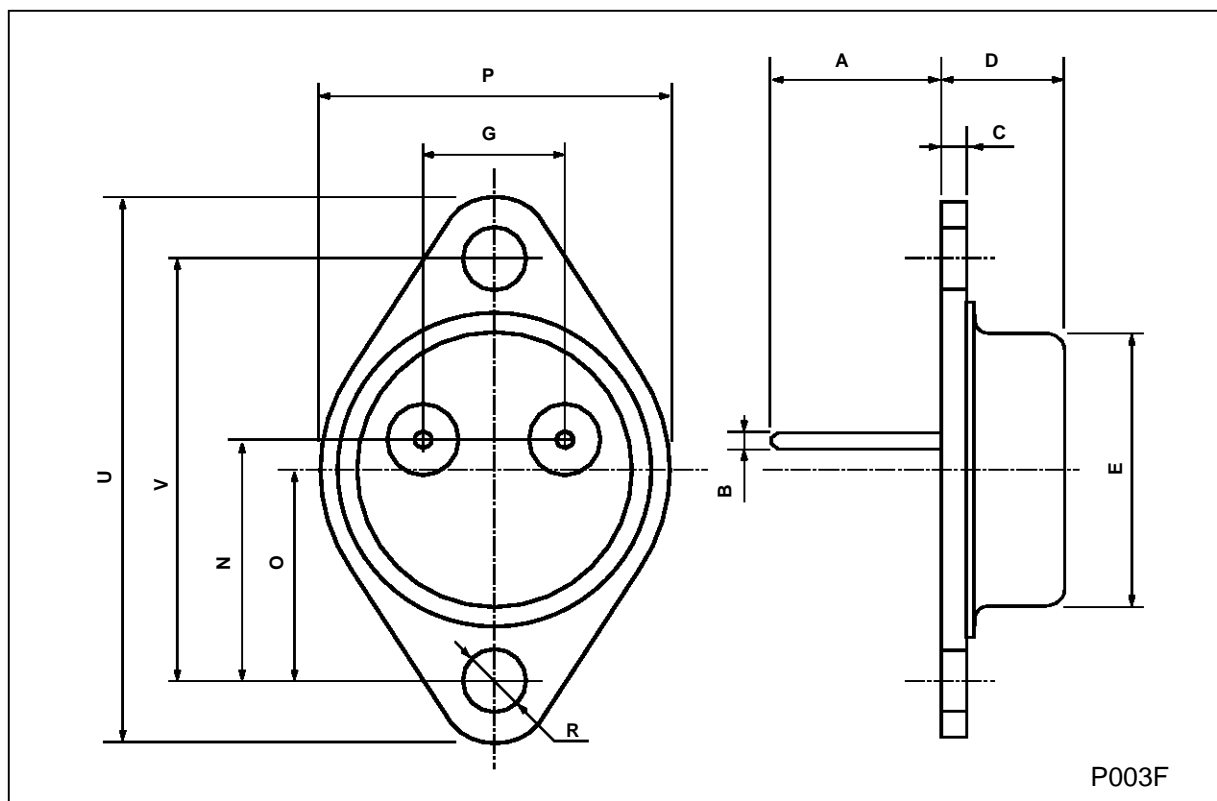
**ELECTRICAL CHARACTERISTICS** (continued)

Symbol	Parameter	Test Conditions	Min.	Typ.	Max.	Unit
$t_{on}$	Turn-on Time	for <b>BUV20</b> $I_C = 50\text{ A}$ $I_B = 5\text{ A}$ for <b>BUV21</b> $I_C = 25\text{ A}$ $I_B = 3\text{ A}$ for <b>BUV22</b> $I_C = 20\text{ A}$ $I_B = 2.5\text{ A}$			1.5 1.2 1.3	$\mu\text{s}$ $\mu\text{s}$ $\mu\text{s}$
$t_f$	Fall time	for <b>BUV20</b> $I_C = 50\text{ A}$ $I_{B1} = - I_{B2} = 5\text{ A}$ for <b>BUV21</b> $I_C = 25\text{ A}$ $I_{B1} = - I_{B2} = 3\text{ A}$ for <b>BUV22</b> $I_C = 20\text{ A}$ $I_{B1} = - I_{B2} = 2.5\text{ A}$			0.3 0.4 0.5	$\mu\text{s}$ $\mu\text{s}$ $\mu\text{s}$
$t_s$	Storage Time	for <b>BUV20</b> $I_C = 50\text{ A}$ $I_{B1} = - I_{B2} = 5\text{ A}$ for <b>BUV21</b> $I_C = 25\text{ A}$ $I_{B1} = - I_{B2} = 3\text{ A}$ for <b>BUV22</b> $I_C = 20\text{ A}$ $I_{B1} = - I_{B2} = 2.5\text{ A}$			1.2 1.8 2	$\mu\text{s}$ $\mu\text{s}$ $\mu\text{s}$

\* Pulsed: Pulse duration = 300  $\mu\text{s}$ , duty cycle  $\leq 2\%$

**TO-3 MECHANICAL DATA**

DIM.	mm			inch		
	MIN.	TYP.	MAX.	MIN.	TYP.	MAX.
A	11.00		13.10	0.433		0.516
B	0.97		1.15	0.038		0.045
C	1.50		1.65	0.059		0.065
D	8.32		8.92	0.327		0.351
E	19.00		20.00	0.748		0.787
G	10.70		11.10	0.421		0.437
N	16.50		17.20	0.649		0.677
P	25.00		26.00	0.984		1.023
R	4.00		4.09	0.157		0.161
U	38.50		39.30	1.515		1.547
V	30.00		30.30	1.187		1.193



Information furnished is believed to be accurate and reliable. However, SGS-THOMSON Microelectronics assumes no responsibility for the consequences of use of such information nor for any infringement of patents or other rights of third parties which may result from its use. No license is granted by implication or otherwise under any patent or patent rights of SGS-THOMSON Microelectronics. Specifications mentioned in this publication are subject to change without notice. This publication supersedes and replaces all information previously supplied. SGS-THOMSON Microelectronics products are not authorized for use as critical components in life support devices or systems without express written approval of SGS-THOMSON Microelectronics.

© 1995 SGS-THOMSON Microelectronics - All Rights Reserved

SGS-THOMSON Microelectronics GROUP OF COMPANIES

Australia - Brazil - France - Germany - Hong Kong - Italy - Japan - Korea - Malaysia - Malta - Morocco - The Netherlands -  
Singapore - Spain - Sweden - Switzerland - Taiwan - Thailand - United Kingdom - U.S.A

...